

# Installation Manual

## SK-2760 ARNOTT FRONT SHOCK KIT FOR 2000-2006 GM FULL SIZE SUVs



Congratulations on your purchase of an Arnett® air suspension product. We at Arnett Incorporated are proud to offer a high quality product at the industry's most competitive pricing. Thank you for your confidence in us and our product.

Proper installation is essential to experience and appreciate the benefits of this system. Please take a moment to review these installation instructions before you begin to install these components on your vehicle. The removal and installation of air suspension products should only be performed by a fully qualified, ASE Certified, professional.

It is equally important to be aware of all necessary safety measures while installing your new Air Suspension System. This includes proper lifting and immobilizing of the vehicle and isolation of any stored energy to prevent personal injury or property damage.

### "Engineered to Ride, Built to Last®"



**WARNING:** The air suspension system is under pressure (up to 10 bar, or 150 lbf/in). Verify pressure has been relieved and disconnect power to the air suspension system prior to disassembly. Do not allow dirt or grease to enter the system. Always wear standard protective hand, ear, and eye protection when servicing the air suspension system.

#### KIT CONTAINS:

#### PARTS LIST

P/N	QTY	DESCRIPTION
21-7876	1	ARNOTT FRONT SHOCK KIT
21-7877	1	ACCESSORY KIT

Arnett® is committed to the quality of its products. If you have a question or problem with any Arnett product, please contact Arnett by calling **800-251-8993** during normal business hours or email [techassistance@arnottinc.com](mailto:techassistance@arnottinc.com).

## GENERAL INFORMATION:

*Reading this manual signifies your agreement to the terms of the general release, waiver of liability, and hold harmless agreement, the full text of which is available at [www.arnottinc.com](http://www.arnottinc.com).*

- Not to be stored below 5°F (-15°C) or above 122°F (50°C).
- Avoid damage to air lines and cables.
- Removal and installation is only to be performed by fully qualified personnel.
- Use car manufacturer's diagnostic software.

**CAUTION:** *Damage to the vehicle and air suspension system can be incurred if work is carried out in a manner other than specified in the instructions or in a different sequence.*



*To avoid the possibility of short circuits while working with electric components consult your owner's manual on how to disconnect your battery.*



*Consult your vehicle owner's manual, service manual, or car dealer for the correct jacking points on your vehicle and for additional care, safety and maintenance instructions. Under no circumstances should any work be completed underneath the vehicle if it is not adequately supported, as serious injuries and death can occur.*

## SHOCK REMOVAL

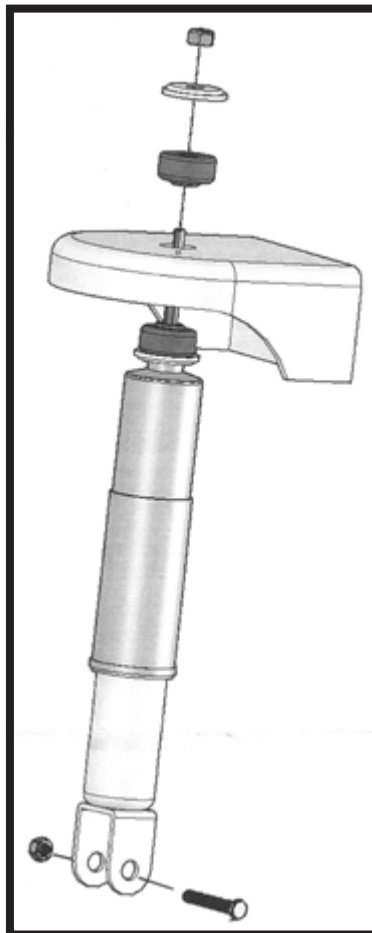
1. SAFELY RAISE AND SUPPORT THE VEHICLE.
2. REMOVE THE FRONT WHEEL.
3. USING A FLOOR JACK, SLIGHTLY RAISE THE LOWER CONTROL ARM TO RELIEVE THE PRESSURE FROM THE UPPER AND LOWER SHOCK ABSORBER BOLTS.
4. UNPLUG THE SHOCK ABSORBER SENSOR CONNECTOR AT THE TOP OF THE SHOCK ABSORBER.
5. REMOVE THE UPPER SHOCK ABSORBER NUT.
6. REMOVE THE LOWER SHOCK ABSORBER NUT AND BOLT.
7. REMOVE SHOCK ABSORBER.
8. REMOVAL COMPLETE.

## SHOCK INSTALLATION



*Tighten all nuts and bolts to manufacturer's specifications during the installation process.*

1. INSTALL FRONT SHOCK ABSORBER INTO THE SUSPENSION.
2. INSTALL TOP RETAINING NUT AND LOWER RETAINING BOLT AND NUT, AND TIGHTEN TO MANUFACTURER'S SPECIFICATIONS.
3. REMOVE THE FLOOR JACK.
4. INSTALL SHOCK ABSORBER SENSOR (REFER TO FRONT SHOCK ABSORBER SENSOR INSTALLATION).
5. INSTALL FRONT WHEELS. TORQUE WHEEL LUG NUTS TO MANUFACTURER'S SPECIFICATIONS.
6. LOWER VEHICLE.
7. INSTALLATION COMPLETE.



## SHOCK SENSOR INSTALLATION

1. ATTACH ELECTRICAL CONNECTOR AND SECURE IN A SUITABLE LOCATION SAFELY AWAY FROM MOVING PARTS AND EXCESSIVE HEAT.

