

Installation Manual

SK-2733 ARNOTT REAR SHOCK KIT FOR 2002-2009 LEXUS GX-470 (TOYOTA PRADO)



Congratulations on your purchase of an Arnett® air suspension product. We at Arnett Incorporated are proud to offer a high quality product at the industry's most competitive pricing. Thank you for your confidence in us and our product.

Proper installation is essential to experience and appreciate the benefits of this system. Please take a moment to review these installation instructions before you begin to install these components on your vehicle. The removal and installation of air suspension products should only be performed by a fully qualified, ASE Certified, professional.

It is equally important to be aware of all necessary safety measures while installing your new Air Suspension System. This includes proper lifting and immobilizing of the vehicle and isolation of any stored energy to prevent personal injury or property damage.

"Engineered to Ride, Built to Last®"



WARNING: *The air suspension system is under pressure (up to 10 bar, or 150 lbf/in). Verify pressure has been relieved and disconnect power to the air suspension system prior to disassembly. Do not allow dirt or grease to enter the system. Always wear standard hand, ear, and eye protection when servicing the air suspension system.*

KIT CONTAINS:

PARTS LIST

P/N	QTY	DESCRIPTION
21-7109	1	ARNOTT REAR SHOCK KIT
21-7108	1	ACCESSORY KIT

Arnett® is committed to the quality of its products. If you have a question or problem with any Arnett product, please contact Arnett by calling **800-251-8993** during normal business hours or email techassistance@arnottinc.com.

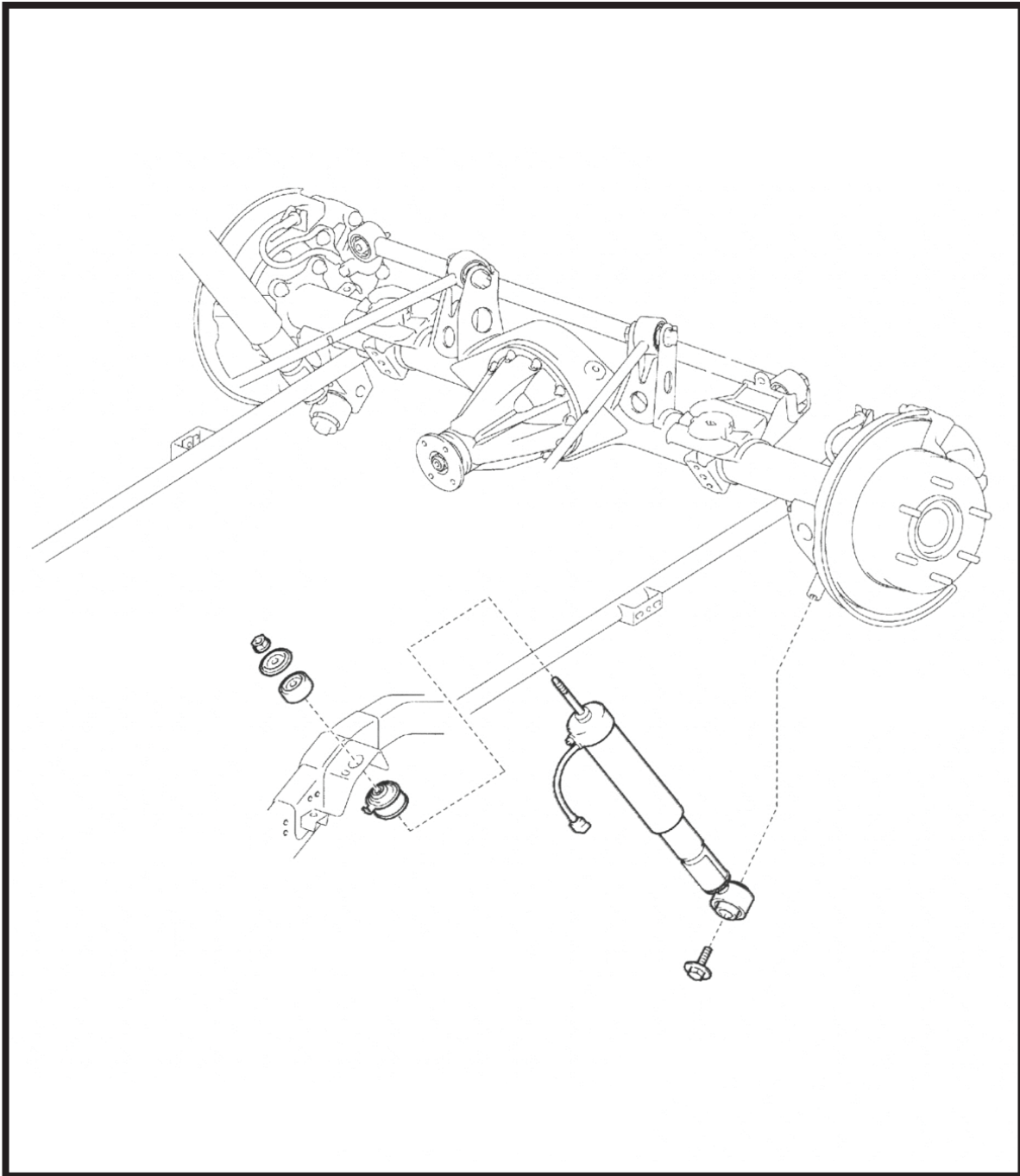


FIGURE A

GENERAL INFORMATION:

Reading this manual signifies your agreement to the terms of the general release, waiver of liability, and hold harmless agreement, the full text of which is available at www.arnottinc.com.

- Not to be stored below 5°F (-15°C) or above 122°F (50°C).
- Avoid damage to air lines and cables.
- Removal and installation is only to be performed by fully qualified personnel.
- Use car manufacturer's diagnostic software.

CAUTION: *Damage to the vehicle and air suspension system can be incurred if work is carried out in a manner other than specified in the instructions or in a different sequence.*



To avoid the possibility of short circuits while working with electric components consult your owner's manual on how to disconnect your battery.



Consult your vehicle owner's manual, service manual, or car dealer for the correct jacking points on your vehicle and for additional care, safety and maintenance instructions. Under no circumstances should any work be completed underneath the vehicle if it is not adequately supported, as serious injuries and death can occur.

SHOCK REMOVAL

1. SAFELY RAISE AND SUPPORT THE VEHICLE.
2. REMOVE THE WHEEL AND TIRE ASSEMBLY.
3. DISCONNECT THE ABSORBER CONTROL ACTUATOR CONNECTOR. (FIGURE 1)

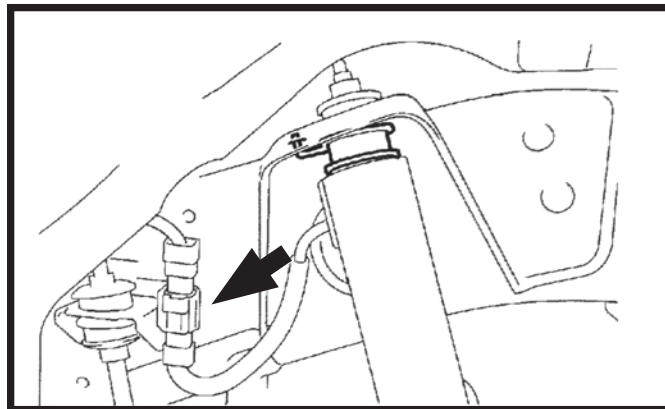


FIGURE 1

4. REMOVE THE BOLT AND SEPARATE THE SHOCK ABSORBER ASSY FROM THE REAR AXLE HOUSING. (FIGURE 2)

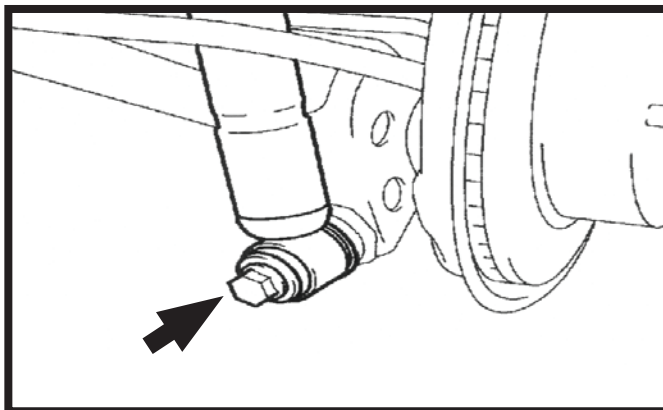


FIGURE 2

5. REMOVE THE NUT, CUSHION RETAINER, CUSHION AND SHOCK ABSORBER ASSEMBLY. (FIGURE 3)

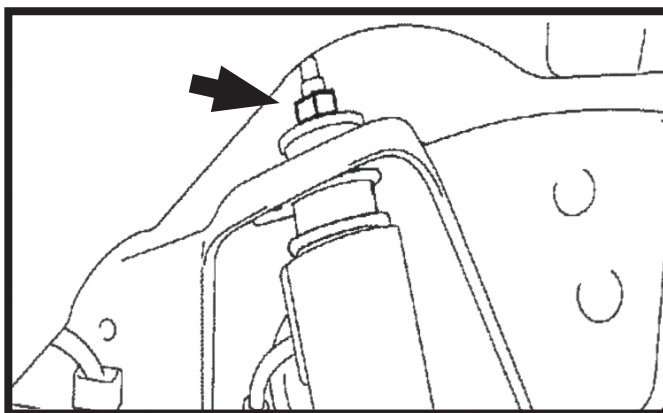


FIGURE 3

7. REMOVE THE LOWER BRACKET FROM THE SHOCK ABSORBER ASSEMBLY. (FIGURE 4)

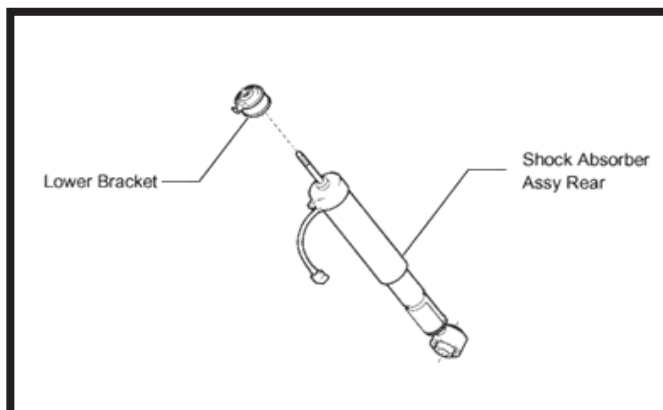


FIGURE 4

8. REMOVAL COMPLETE.

SHOCK INSTALLATION



Tighten all nuts and bolts to manufacturer's specifications during the installation process.

1. INSTALLATION IS IN REVERSE ORDER OF SHOCK REMOVAL. (DO NOT RE-INSTALL THE ABSORBER CONTROL ACTUATOR.)