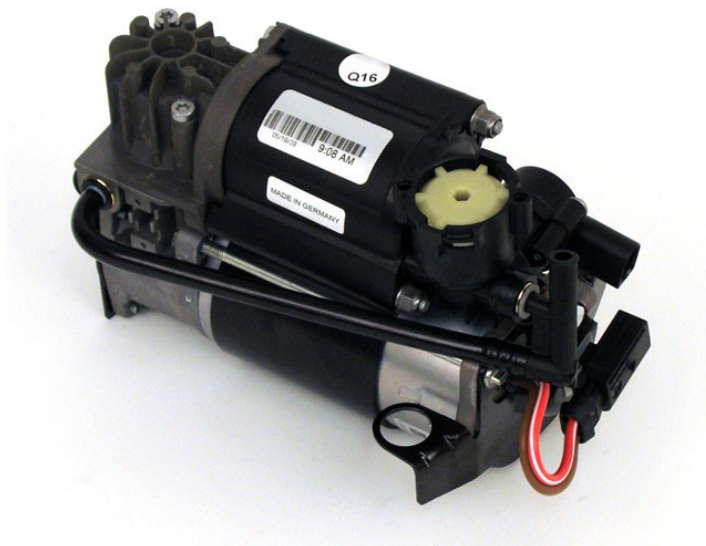


Installation Manual

P-2192 WP WABCO OES AIR SUSPENSION COMPRESSOR FOR 1999-2006 MERCEDES-BENZ S-CLASS FOR 2002-2009 MERCEDES-BENZ E-CLASS FOR 2005-2011 MERCEDES-BENZ CLS-CLASS (INCLUDING 4-MATIC AND AMG)

Proper installation is essential to experience and appreciate the benefits of this system. Please take a moment to review these installation instructions before you begin to install these components on your vehicle. The removal and installation of air suspension products should only be performed by a fully qualified, ASE Certified, professional.

It is equally important to be aware of all necessary safety measures while installing your new Air Suspension System. This includes proper lifting and immobilizing of the vehicle and isolation of any stored energy to prevent personal injury or property damage.



WARNING: *The air suspension system is under pressure (up to 10 bar, or 150 lbf/in). Verify pressure has been relieved and disconnect power to the air suspension system prior to disassembly. Do not allow dirt or grease to enter the system. Always wear standard hand, ear, and eye protection when servicing the air suspension system.*

KIT CONTAINS:

PARTS LIST

P/N	QTY	DESCRIPTION
21-4835	1	WABCO OES AIR SUSPENSION COMPRESSOR
21-6940	1	INSTRUCTION PACKET

P-2192 WP WABCO OES AIR SUSPENSION COMPRESSOR FOR 1999-2006 MERCEDES-BENZ S-CLASS FOR 2002-2009 MERCEDES-BENZ E-CLASS FOR 2005-2011 MERCEDES-BENZ CLS-CLASS (INCLUDING 4-MATIC AND AMG)

GENERAL INFORMATION:

- Not to be stored below 5°F (-15°C) or above 122°F (50°C).
- Avoid damage to air lines and cables.
- Removal and installation is only to be performed by fully qualified personnel.
- Use car manufacturer's diagnostic software.

CAUTION: *Damage to the vehicle and air suspension system can be incurred if work is carried out in a manner other than specified in the instructions or in a different sequence.*



To avoid the possibility of short circuits while working with electric components consult your owner's manual on how to disconnect your battery.

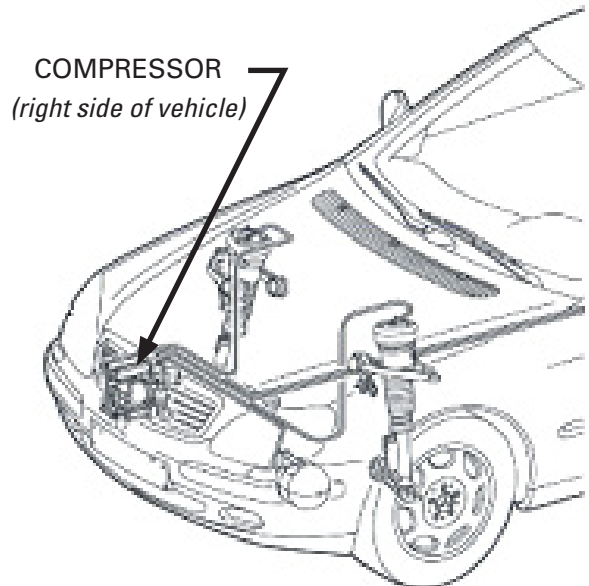
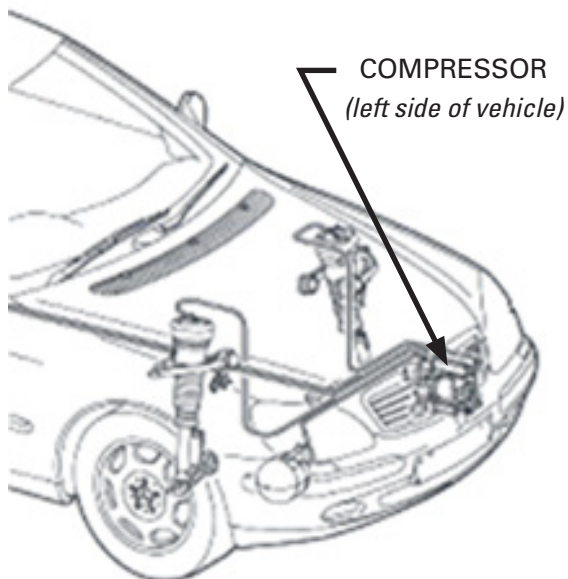


Consult your vehicle owner's manual, service manual, or car dealer for the correct jacking points on your vehicle and for additional care, safety and maintenance instructions. Under no circumstances should any work be completed underneath the vehicle if it is not adequately supported, as serious injuries and death can occur.

AIR COMPRESSOR MOUNTING LOCATIONS

FOR 2002-2009 MERCEDES-BENZ E-CLASS
FOR 2005-2011 MERCEDES-BENZ CLS-CLASS

1996-2006 MERCEDES-BENZ S-CLASS



AIR SUSPENSION COMPRESSOR REMOVAL

1. REMOVE ENGINE COMPARTMENT PANELING UNDERNEATH THE VEHICLE. (FIGURE A)

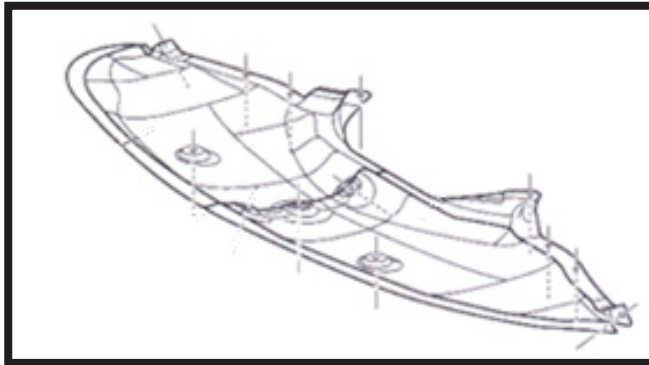


FIGURE A

2. REMOVE THE AIR LINE AND INTAKE TUBE FROM THE COMPRESSOR. REMOVE THE AIR LINE FITTING FROM THE AIR HOSE AND DISCARD. (FIGURE B)

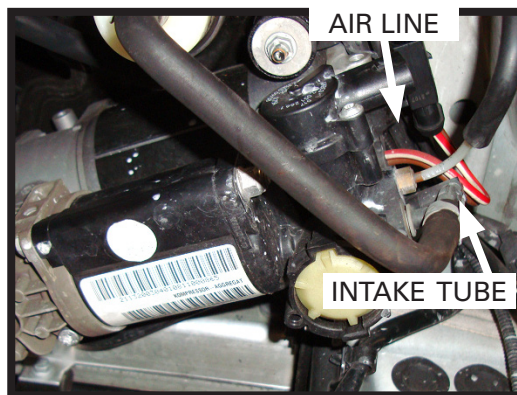


FIGURE B

3. DISCONNECT THE TWO (2) ELECTRICAL CONNECTORS FROM THE COMPRESSOR UNIT. (FIGURE C)

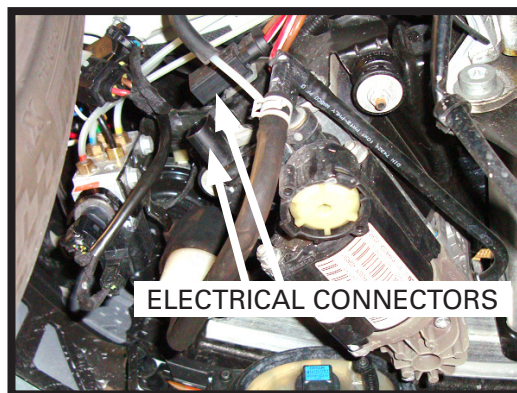


FIGURE C

4. UNSCREW THE THREE NUTS AND REMOVE THE COMPRESSOR UNIT. (FIGURE D)



FIGURE D

5. REMOVAL COMPLETE.

AIR SUSPENSION COMPRESSOR INSTALLATION



Tighten all nuts and bolts to manufacturer's specifications during the installation process.



Do not remove the air fitting from the air suspension compressor. Doing so may cause damage and/or void warranty. Remove the white shipping pin from the new air fitting and insert the air line until fully seated.

1. INSTALLATION IS IN REVERSE ORDER OF AIR SUSPENSION COMPRESSOR REMOVAL.