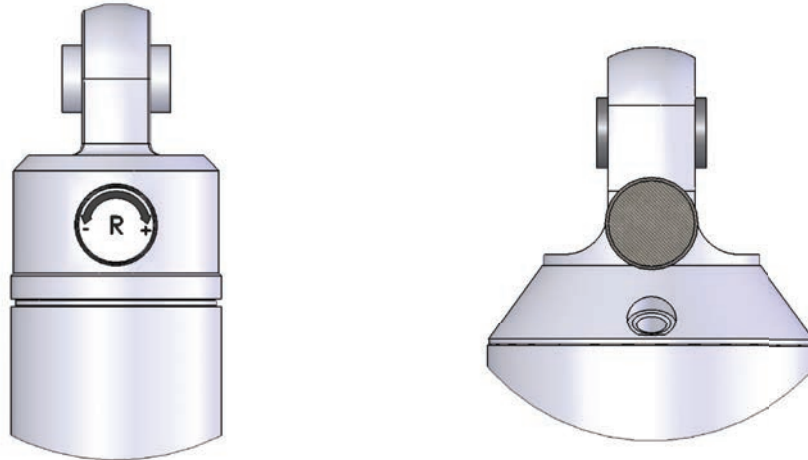




ADJUSTMENT OF QA1® AND ALDAN® EQUIPPED AIR SUSPENSION



Both the QA1® series shocks and ALDAN® series shocks feature an adjustment knob. To increase the firmness turn the knob clockwise. To decrease the firmness and soften the ride, turn counterclockwise. The QA1 shocks offer 16-positions of adjustment while the ALDAN shocks offer 11-positions.

CLEANING CARE FOR AIR SUSPENSION SHOCKS

CHROME PLATING - Use a clean soft cloth with white vinegar, rubbing alcohol, lemon juice or window cleaner. (Do not apply wax to the chrome as it may yellow.)

ANODIZING - Use a clean soft cloth with a mix of water and a PH balanced soap such as shampoo. (Do not use Simple Green®.)

POWDER COATING - Use a clean soft cloth with a mix of water and mild detergent such as car soap. (Do not use nail polish remover, paint/lacquer thinner, or parts cleaner. Also, avoid contact with motor oil, transmission and brake fluid.)